



# Pipe Magnets

Capture Metal In Gravity Flow Pipe Applications

**TRAMP METAL**

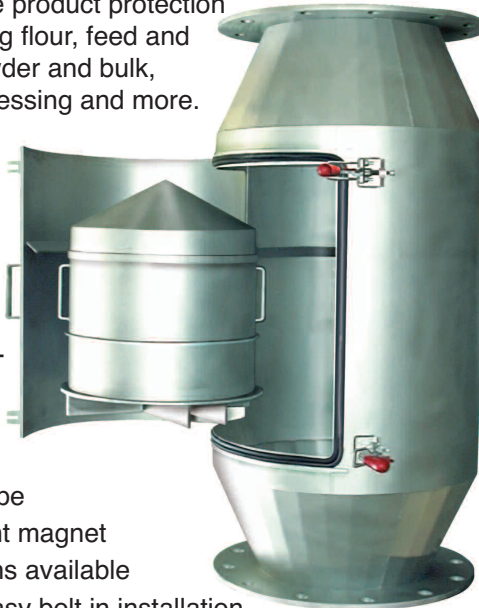
TG-05A

Industrial Magnetics, Inc. • PO Box 80 • Boyne City, MI 49712 • p: 888.582.0821 • f: 231.582.2704 • w: www.magnetics.com • e: imi@magnetics.com

## INTRODUCTION:

IMI's Permanent Pipe Magnets protect processing equipment and improve product purity by capturing ferrous tramp metal contaminants in vertical flow systems.

IMI pipe magnets provide product protection for many industries including flour, feed and grain, food processing, powder and bulk, chemical resin, plastic processing and more.

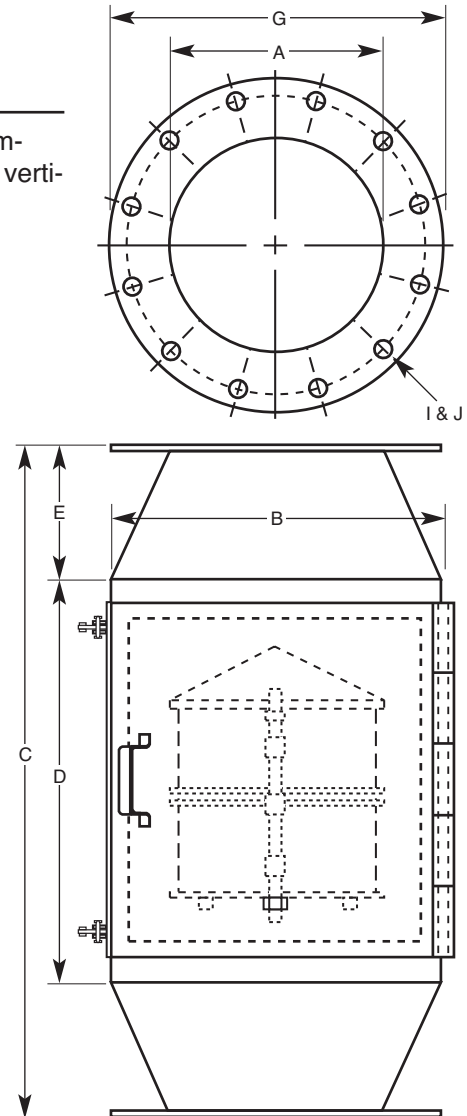


## FEATURES:

- Easy to clean
- All welded construction
- Stainless steel housing
- Fits 4" to 20" diameter pipe
- Door mounted permanent magnet
- Custom sizes and designs available
- Drilled 3/8" flanges for easy bolt in installation

## OPTIONS:

- 45 MgOe rare earth magnetic circuit
- EZ-Cleaning stripper sleeve
- Wear treatment for abrasive products
- Food Grade construction
- 316L stainless steel housing



\*Dimensions representative of product at date of publication. If dimensions are critical call for up to date changes.

Model	Pipe Dia.	Inlet A	Body I.D. B	Body Height C	Body Height D	Trans. Height E	Flange O.D. G	Bolt Circle H	Hole Dia. I	No. of Holes J	Tons Per/Hr	Wt. Lbs.
PM0400	4	4 <sup>1</sup> / <sub>32</sub>	8 <sup>3</sup> / <sub>8</sub>	22 <sup>3</sup> / <sub>4</sub>	14	4 <sup>3</sup> / <sub>8</sub>	9	7 <sup>1</sup> / <sub>2</sub>	3/4	8	6	60
PM0600	6	6 <sup>1</sup> / <sub>16</sub>	10 <sup>5</sup> / <sub>8</sub>	27	17 <sup>1</sup> / <sub>4</sub>	4 <sup>7</sup> / <sub>8</sub>	11	8 <sup>1</sup> / <sub>2</sub>	7/8	8	20	100
PM0800	8	7 <sup>3</sup> / <sub>32</sub>	13 <sup>3</sup> / <sub>8</sub>	31 <sup>1</sup> / <sub>4</sub>	20 <sup>1</sup> / <sub>2</sub>	5 <sup>3</sup> / <sub>8</sub>	13 <sup>1</sup> / <sub>2</sub>	11 <sup>3</sup> / <sub>4</sub>	7/8	8	50	180
PM1000	10	10	17	37 <sup>3</sup> / <sub>4</sub>	22 <sup>3</sup> / <sub>4</sub>	7 <sup>1</sup> / <sub>2</sub>	16	14 <sup>1</sup> / <sub>4</sub>	1	12	75	330
PM1200	12	12	19	39 <sup>3</sup> / <sub>8</sub>	23 <sup>5</sup> / <sub>8</sub>	7 <sup>7</sup> / <sub>8</sub>	19	17	1	12	100	485
PM1600	16	15 <sup>1</sup> / <sub>4</sub>	24 <sup>1</sup> / <sub>4</sub>	43 <sup>1</sup> / <sub>2</sub>	27 <sup>1</sup> / <sub>2</sub>	8	23 <sup>1</sup> / <sub>2</sub>	21 <sup>1</sup> / <sub>4</sub>	1 <sup>1</sup> / <sub>8</sub>	16	150	775
PM2000	20	19 <sup>1</sup> / <sub>4</sub>	30 <sup>3</sup> / <sub>8</sub>	47 <sup>1</sup> / <sub>2</sub>	30 <sup>3</sup> / <sub>4</sub>	8 <sup>3</sup> / <sub>8</sub>	27 <sup>1</sup> / <sub>2</sub>	25	1 <sup>1</sup> / <sub>4</sub>	20	200	1150

All Dimensions Are Stated In Inches

## Key Markets

Mid-stream magnets for dry, free flow powders to granular products; i.e. food, feed, grain, plastics, chemical

## Related Products

Magnetic Drawer-In-Housings, Large Tube Housings, Extractor/Split-Flow Magnets

All Photos And Drawings Represent The Products At The Time Of Publication (10/06)