



Plate Style Magnetic Separators

Plate Magnets For Angled Chute Applications

TRAMP METAL

TG-01A

IMI's high intensity plate magnets feature durable welded stainless steel construction and heavy duty hinges for easy cleaning.

Flush Face (FF) Plate Magnets are designed for **above-the-flow** applications. The Flush Face model is available in Ceramic and Rare Earth designs to lift ferrous metal out of the product flow, protecting downstream processing equipment and product purity.

Exposed Pole (EP) Plate Magnets are designed for **below-the-flow** applications. The two 400 series (magnetic stainless steel) exposed poles provide added protection from wash-off without impeding the product flow. Exposed Pole models are ideal for low volume chute installations with either Ceramic or Rare Earth magnetic circuits.

Spout Style (SM) Plate Magnets feature a diverter to provide maximum tramp metal separation and superior wash-off protection for high volume **below-the-flow** applications. The diverter protects collected metal from being washed back into the product flow while preventing product degradation. Several strengths are available in Ceramic and Rare Earth designs to meet the requirements of difficult applications.

Magnet Materials for Plate Magnets:

Ceramic: Used for small to larger ferrous particle separation such as nails, bolts, washers, etc that can cause damage to processing equipment.

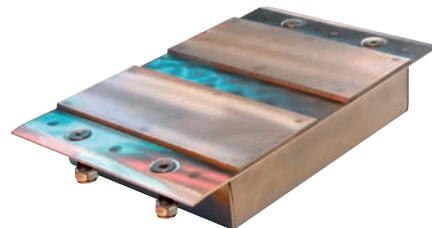
Rare Earth: Extremely powerful magnet is used for "fine particle" separation such as metal filings, shavings, metal wear residue, work hardened stainless steel, etc. as well as capturing larger tramp metal.

Hump Magnets (Plate-In-Chute Separators) - IMI plate magnets can be provided with engineered chutes to fit directly into your processing lines. Customer specified inlet and outlet requirements can be accommodated using custom designed housings, transitions (round or rectangular), flanges and more. Housings and chutes are available for single plate magnets, multiple plate magnets and for Manual, EZ or Self-Cleaning models.

Granulator Plate Magnet (GPM) Protect your regrind operation from tramp metal contamination with IMI's powerful Granulator Plate Magnets. These magnets are designed for easy installation in your granulator's feed tray, and are an economical way to prevent tramp metal from damaging your equipment and contaminating your product.

OPTIONS:

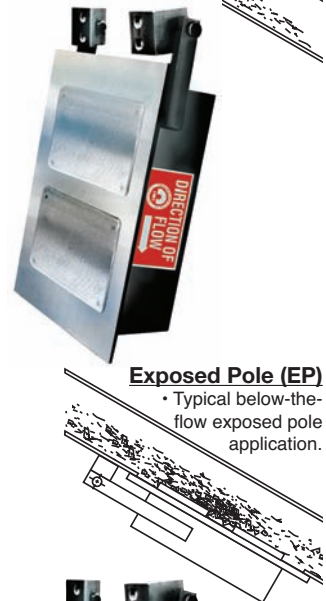
- Ceramic, Grade 8 Magnet Material
- Rare Earth, 45 MgOe Magnet Material
- Custom designs and mounting
- Clamping, lifting and counterweight devices
- Food Grade Finish
- Wear treatment
- Filled space between poles (EP models only)
- EZ-Clean or Self-Cleaning models available



Granulator Plate Magnet (GPM)
• Ideal for Granulator Feed Trays.



Flush Face (FF)
• For above-the-flow applications



Exposed Pole (EP)
• Typical below-the-flow exposed pole application.



Spout Magnet (SM)
• Ideal for below-the-flow applications.

Key Markets

Magnets for Unimpeded Product Flows or dry to slight moisture content; i.e. powders, granular, leafy, etc...

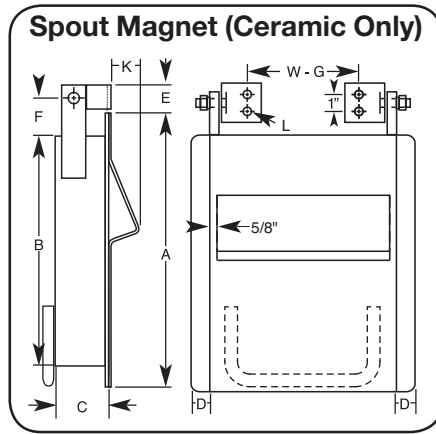
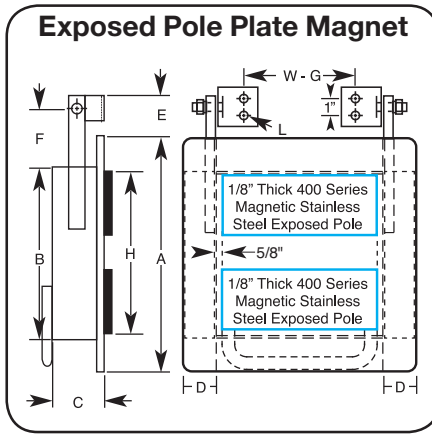
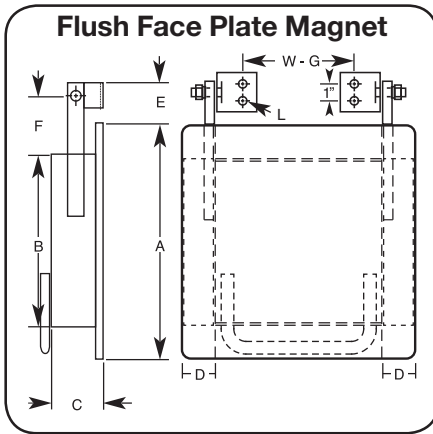
Related Products

Hump Magnets, Inline Separators, Extractor Magnets, Split-Flow Magnets

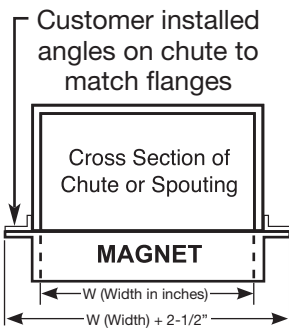
Industrial Magnetics, Inc. • 1385 M-75 South • Boyne City, MI 49712 • p: 888.582.0821 • f: 231.582.2704 • w: www.magnetics.com • e: imi@magnetics.com

Plate Style Magnetic Separators

Drawings and Specifications For Plate Magnets

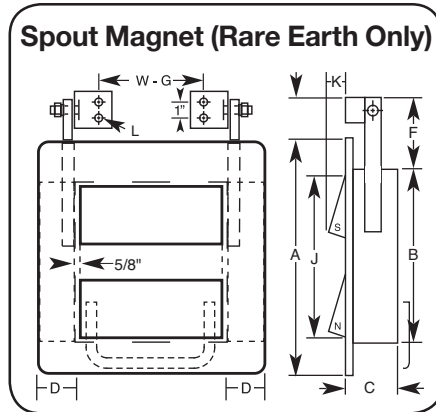


OPTIMUM CHUTE INSTALLATION



REACH-OUT	MAGNET CAPACITY
Ceramic	
2"	Magnet Width (W) x 166.75 = CF/H
6"	Magnet Width (W) x 500.00 = CF/H
8"	Magnet Width (W) x 667.00 = CF/H
Rare Earth	
3"	Magnet Width (W) x 287.50 = CF/H
5"	Magnet Width (W) x 450.00 = CF/H

CF/H x 0.02832 = Capacity in Cubic Meters Per Hour



Ceramic Plate Magnet Dimensions

Flush Face	Exposed Pole	Spout Magnet	Reach-Out (In.)	Dimensions (Inches)							EP Only	SM Only		Approx. Wt. Per Inch of Width(W)
A	B	C	D	E	F	G	H	K	L					
FF	EP	SM	2	8.5	6.5	1.38	1.0	1.19	1.81	3.75	6	0.75	0.25	2.25 Lbs./In.
FF	EP	SM	6	14.5	12.5	4.12	1.0	2.75	2.75	4.5	12	1.25	0.5	11.25 Lbs./In.
FF	EP	SM	8	19.5	17.5	8.12	1.0	2.75	2.75	4.5	17	1.25	0.5	29.0 Lbs./In.

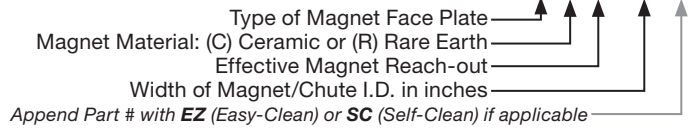
Rare Earth Plate Magnet Dimensions

Flush Face	Exposed Pole	Spout Magnet	Reach-Out (In.)	Dimensions (Inches)							EP Only	SM Only		Approx. Wt. Per Inch of Width(W)
A	B	C	D	E	F	G	H	J	K	L				
FF	EP	SM	3	7.5	5.5	1.56	1.0	1.19	1.81	3.75	5	5	0.5	2.75 Lbs./In.
FF	EP	SM	5	12.5	10.5	2.31	1.0	1.19	1.69	4.5	10	8.75	1.25	5.75 Lbs./In.

Notes:

1. Plate Magnets with 8" Reach-out have lift lugs on the back of the magnet for handling.
2. Magnets with 2" & 3" Reach-Out have hinges with a single hole.

Plate Magnet Ordering Guide Example: EPC06-12



Granulator Plate Magnets (Ceramic Magnet Material Only)

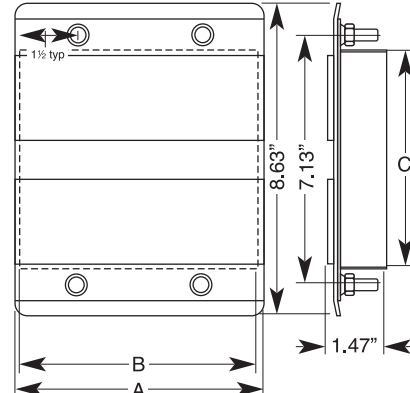
FEATURES:

- Protect your regrind operation from damaging tramp metal
- Designed for installation in the granulator's feed tray
- Low profile design for smooth flow over the magnet face
- Mounts with provided 4-20 stainless steel bolts and lock nuts
- Stainless steel housing with 400 series stainless steel magnetic poles

INSTALLATION:

1. Cut an opening in your feed tray
2. Set the magnet in the opening in the feed tray and mark the location of the mounting holes
3. Remove the magnet and drill the four mounting holes into the feed tray
4. Set the magnet into the opening, insert the bolts into the mounting holes, thread & tighten the nuts onto the bolts

Model No.	Overall Width (A)	Magnet Width (B)	Magnet Length (C)
GPM0550	5.50"	5.10"	6.25"
GPM0750	7.50"	7.10"	6.25"
GPM0950	9.50"	9.2"	6.25"
GPM1150	11.50"	11.10"	6.25"
GPM1300	13.00"	12.60"	6.25"
GPM1500	15.00"	14.60"	6.25"
GPM1700	17.00"	16.60"	6.25"
GPM1900	19.00"	18.60"	6.25"
GPM2100	21.00"	20.60"	6.25"
GPM2300	23.00"	22.60"	6.25"



Hump Magnets (Plate-in-chute separators)

Plate Style Circuits - For Chute Applications

Hump Magnets (Plate-In-Chute Separators) - IMI plate magnets can be provided with engineered chutes to fit directly into your processing lines. Customer specified inlet and outlet requirements can be accommodated using custom designed housings, transitions (round or rectangular), flanges and more. Housings and chutes are available for single plate magnets, multiple plate magnets and for Manual, EZ or Self-Cleaning models.

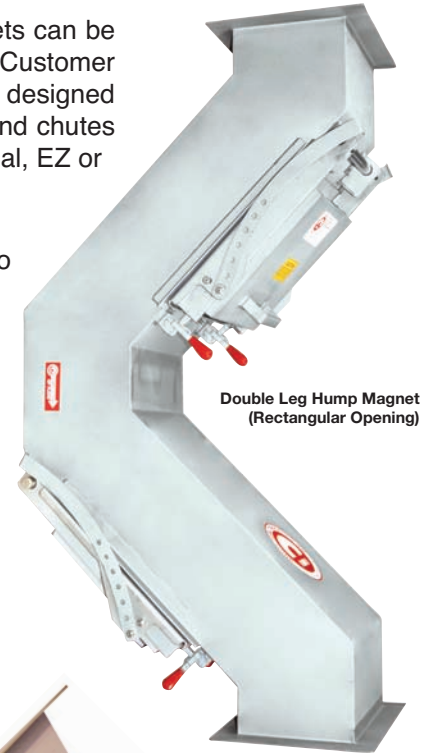
EZ-Clean and Self Cleaning Spout Magnets are designed to simplify the cleaning process and to increase processing line efficiency. These cleaning options feature spout faced stripper pans that swing out of the product flow and away from the magnet to release collected metal. The EZ-Clean unit is operated manually by unclamping the magnet and pulling the assembly into the open position. The Self-Cleaning model operates on the same principle but uses either pneumatic cylinders or electric actuators to open and close the plate magnet at user specified intervals

FEATURES:

- All stainless steel construction
- Ceramic or Rare Earth Magnets
- Customary finish
- DE-STA-CO clamps for a positive seal
- Leak resistant seals

OPTIONS:

- Mild steel construction
- Food Grade Finish
- Pre-drilled Flanges
- Round inlet and outlet transitions
- Rectangular or square transitions
- EZ-Clean stripper design (recommended for all models)
- Self-Cleaning design
- Collection pans
- Expanded metal guarding (Self-Cleaning)
- Wear Resistant Ceramic Tile Lining



Double Leg Hump Magnet
(Rectangular Opening)



Single Leg Hump Magnet
(Electric Actuated)



Single Leg Hump
Magnet (Air Actuated)

Hump Magnets (Plate-in-chute separators)

Plate Style Circuits - For Chute Applications

DOUBLE LEG - RECTANGULAR OPENINGS (Using IMI 6" Reach-out Magnets)

Model Number	A (I.D.)	B (I.D.)	C Width	D Height	Ft ³ /Hr.	Approx. Weight
H05X08C06	5	8-1/4	19-1/2	45	1,875	172 Lbs.
H07X10C06	7	10-1/4	21-1/2	45	3,281	214 Lbs.
H07X12C06	7	12-1/4	21-1/2	45	3,938	251 Lbs.
H07X14C06	7	14-1/4	21-1/2	45	4,594	288 Lbs.
H07X20C06	7	20-1/4	21-1/2	45	6,563	399 Lbs.
H07X26C06	7	26-1/4	21-1/2	45	8,531	510 Lbs.
H08X28C06	8	28-1/4	22-1/2	48	9,188	547 Lbs.
H08X34C06	8-1/2	34-1/4	23	48	12,750	658 Lbs.
H08X40C06	8-1/2	40-1/4	23	48	15,000	769 Lbs.

DOUBLE LEG - ROUND OPENINGS (Using IMI 6" Reach-out Magnets)

Model Number	E Inlet Dia.	C Width	D Height	Ft ³ /Hr.	Approx. Weight
H06DC06	6	19-1/2	57	1,875	142 Lbs.
H08DC06	8	21-1/2	57	3,281	174 Lbs.
H09DC06	9	21-1/2	57	3,938	210 Lbs.
H10DC06	10	21-1/2	57	4,594	245 Lbs.
H12DC06	12	21-1/2	57	6,563	348 Lbs.
H14DC06	14	21-1/2	57	8,531	452 Lbs.
H16DC06	16	22-1/2	60	9,188	486 Lbs.
H18DC06	18	23	60	12,750	589 Lbs.
H20DC06	20	23	60	15,000	692 Lbs.

NOTE: All Dimensions Are Stated In Inches. Ft³/Hr. based on 200 FPM at 75% full.

All standard models are available with EZ-Clean (E) and Self-Clean (S) options. Append the letter **E** (for EZ-Clean) or **S** (for Self-Clean) to the end of the part numbers listed in the tables above to order EZ-Clean or Self-Clean options.

Single Leg Hump Magnets

IMI's Single Leg Hump Magnet is designed to be placed in product flows at angles 45° or less from horizontal. If angle of flow is greater than 45°, please contact IMI for the proper magnet.

SINGLE LEG - RECTANGULAR OPENINGS (Using IMI 6" Reach-out Magnets)

Model Number	A (I.D.)	B (I.D.)	C Offset	D Height	Ft ³ /Hr.	Approx. Weight
HH05X08C06	5	8-1/4	14-1/2	23	1,875	86 Lbs.
HH07X10C06	7	10-1/4	14-1/2	23	3,281	107 Lbs.
HH07X12C06	7	12-1/4	14-1/2	23	3,938	126 Lbs.
HH07X14C06	7	14-1/4	14-1/2	23	4,594	144 Lbs.
HH07X20C06	7	20-1/4	14-1/2	23	6,563	200 Lbs.
HH07X26C06	7	26-1/4	14-1/2	23	8,531	255 Lbs.
HH08X28C06	8	28-1/4	14-1/2	25	9,188	274 Lbs.
HH08X34C06	8-1/2	34-1/4	14-1/2	25	12,750	329 Lbs.
HH08X40C06	8-1/2	40-1/4	14-1/2	25	15,000	385 Lbs.

SINGLE LEG - ROUND OPENINGS (Using IMI 6" Reach-out Magnets)

Model Number	E Inlet Dia.	C Offset	D Height	Ft ³ /Hr.	Weight
HH06DC06	6	14-1/2	35	1,875	71 Lbs.
HH08DC06	8	14-1/2	35	3,281	87 Lbs.
HH09DC06	9	14-1/2	35	3,938	105 Lbs.
HH10DC06	10	14-1/2	35	4,594	123 Lbs.
HH12DC06	12	14-1/2	35	6,563	174 Lbs.
HH14DC06	14	14-1/2	35	8,531	226 Lbs.
HH16DC06	16	14-1/2	37	9,188	295 Lbs.
HH18DC06	18	14-1/2	37	12,750	295 Lbs.
HH20DC06	20	14-1/2	37	15,000	346 Lbs.

NOTE: All Dimensions Are Stated In Inches. Ft³/Hr. based on 200 FPM at 75% full.

All standard models are available with EZ-Clean (E) and Self-Clean (S) options. Append the letter **E** (for EZ-Clean) or **S** (for Self-Clean) to the end of the part numbers listed in the tables above to order EZ-Clean or Self-Clean options.

