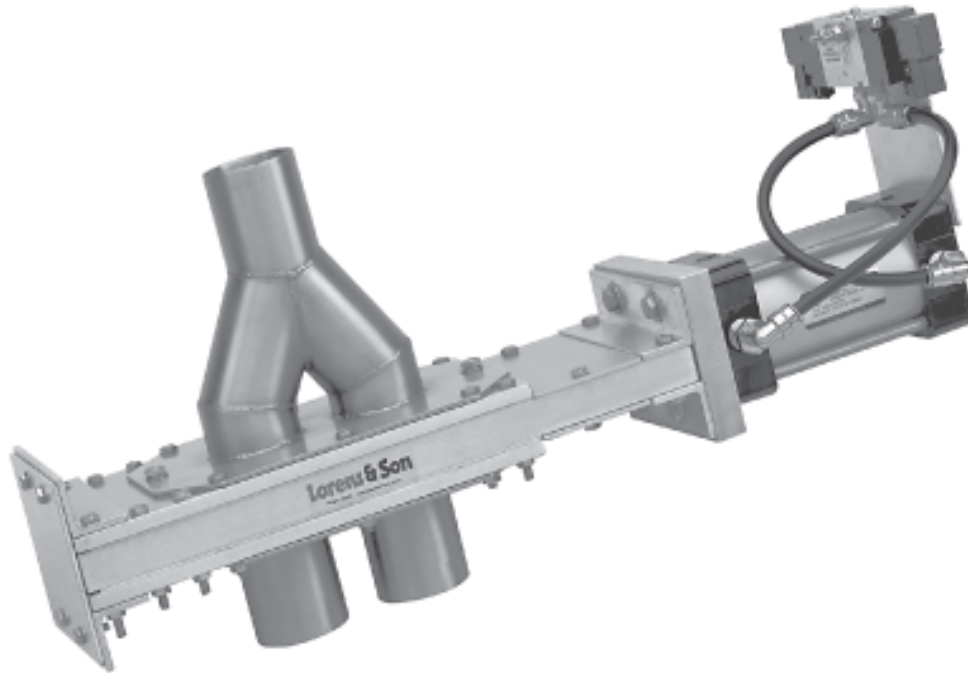


2 Way Diverter Valves Series "D"- Y Configuration



Pneumatic actuated 2 way diverter valve for vacuum or low pressure* conveying systems.

Available in Sizes from 2" up to 12"

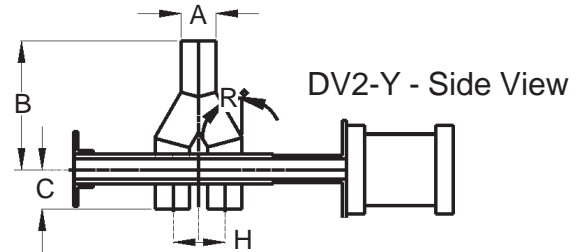
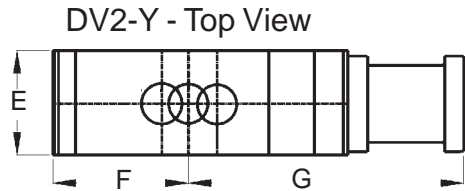
Inlets & Outlets available in Tube & Pipe Sizes in Stainless Steel, Aluminum & Carbon Steel

*(Dilute phase up to 15 psig max)

Standard Features

- Positive blade lock (PBL) between blade & cylinder rod
- Internal magnetic piston, cushioned air cylinder
- Active compression seals (A.C.S.) and polished stainless steel blade
- Light weight aluminum Body construction
- Temperature rated for up to 82°C (180°F)
- Lightweight, durable "off the self" air cylinder
- Double acting or single acting spring return solenoid or manual lever valve
- NEMA 4 watertight & dust tight electrics
- Wall thicknesses of 16, 14 & 11 gauge, schedule 10, 40 & 80
- Fully tested prior to shipping

2 Way Diverter Valves - Series "D" "Y" Configuration



Model number	Size A	B	C	E	F	G	H	R
DV2-150	1 1/2	7 1/4	4 1/8	5	5 3/4	14 3/4	2 1/2	30
DV2-200	2	7 1/4	4 1/8	5	5 3/4	14 3/4	2 1/2	30
DV2-2188	2 3/16	8	4	6	7 3/4	18 3/8	3 1/2	30
DV2-2375	2 3/8	10 1/8	5 1/8	6	7 3/4	18 3/8	3 1/2	30
DV2-250	2 1/2	8	4 1/8	6	7 3/4	18 3/8	3 1/2	30
DV2-2875	2 7/8	10	5	6	7 3/4	18 3/8	3 1/2	30
DV2-300	3	8 5/8	4 1/8	6	7 3/4	18 3/8	3 1/2	30
DV2-350	3 1/2	12 3/4	6 1/8	7	10 1/2	22 3/4	5	30
DV2-400	4	10 3/8	4 1/8	7	10 1/2	22 3/4	5	30
DV2-450	4 1/2	13 3/4	6 1/8	9	12 3/4	25 3/4	6	30
DV2-500	5	12 5/8	5 1/8	9	12 3/4	25 3/4	6	30
DV2-5563	5 9/16	15 1/4	6 1/8	10	14 3/4	30 1/8	7	30
DV2-600	6	13 7/8	5 1/8	10	14 3/4	30 1/8	7	30
DV2-6625	6 5/8	15 1/2	7	11	21 3/8	40 1/4	10	45
DV2-800	8	19 1/8	9 1/8	12	21 1/2	38 1/2	10	45
DV2-8625	8 5/8	19 3/4	8 1/4	14	24 1/2	44 1/4	12	45
DV2-1000	10	21 3/4	9 5/8	15 3/4	28 1/4	49 1/2	14	45
DV2-1075	10 3/4	22 3/4	9 3/4	15 3/4	28 1/4	49 1/2	14	45
DV2-1200	12	24 1/4	9 3/4	16	29	49 1/2	14	45

Dry, filtered & lubricated actuating air @ 80 PSIG minimum, 200 PSIG maximum recommended

Options

- Position switches 110 volt AC & 24 volt DC
- Proximity switches
- Oversized air cylinders
- Valve body sealed for sir purging
- Inlets/outlets - straight or flanged ends
- Manual hand wheel operation
- Special seal configurations
- Solenoids 110 volt AC or 24 volt DC
- NEMA 7-9 hazardous locations
- High temperature modifications