



Magnets For Plastics Processing

Magnetic Separators For Resin, Flake, Pellet or Re-Grind

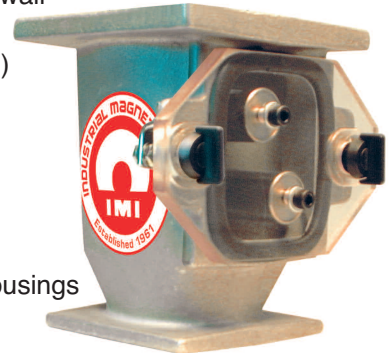
TRAMP METAL

TG-07A

Industrial Magnetics, Inc. • PO Box 80 • Boyne City, MI 49712 • p: 888.582.0821 • f: 231.582.2704 • w: www.magnetics.com • e: imi@magnetics.com

Aluminum Housing CF Series Clean-Flows®

- Lightweight cast aluminum housings are ideal for today's smaller JIT systems
- Standard Rare Earth tubes provide optimum tramp metal protection
- Durable, cast aluminum housing with smooth vibratory finish and steep interior wall angles to prevent resin build-up
- JIT Clean Flow®: Inlet (Min. 1" - Max. 3.5" Dia.), Outlet (Min. 1" - Max. 2.5" Dia.)
- Versatile flange allows for multiple inlet opening & outlet opening options
- Top & bottom flanges are drilled and/or tapped to your specifications
- Spring loaded knobs and gasketed door for leak free operation



Clean-Flow® Magnets

- Standard cast ductile iron housings or fabricated mild steel or stainless steel housings
- Improves product purity and protects Injection Molding and Extrusion machines from ferrous metal damage
- Equipped with Ceramic or Rare Earth magnetic tubes on 2" centers
- Gasketed drawer with see-through polycarbonate door for easy visual inspection of collected metal
- Ductile housing withstands over 100,000 pounds of compression pressure and absorbs the constant vibration created by processing machinery
- Many options and accessories available to meet your equipment requirements



Torpedo® Magnet

- Designed to capture tramp metal in Just-In-Time (JIT) hopper loaders
- Provides magnetic protection for equipment where there is no room to install a Clean-Flow®
- The Rare Earth Magnet cartridge hangs in the center of the hopper loader's glass tube to prevent tramp metal from entering your plastic molding machine, without interfering with the material flow



4JIT Vacuum Line Magnet

Ideal for vacuum unloading systems for handling pelletized products, plastic resins and granulars from bins, boxes, hoppers and gaylords. The Vacuum 4JIT magnet captures ferrous metal contaminants. The powerful Rare Earth magnet cartridge provides optimum equipment protection and improved product purity without restricting product flow. Available from 1-1/2" to 2-1/2" line sizes.



Granulator Plate Magnet

Protect your regrind operation from tramp metal contamination with IMI's powerful Granulator Plate Magnets. These magnets are designed for easy installation in your granulator's feed tray, and are an economical way to prevent tramp metal from damaging your equipment and contaminating your product.



Pictured: Top to Bottom: Aluminum CF Series Clean-Flow, Standard Clean-Flow, Torpedo Magnet, 4JIT Vacuum Line Magnet, Granulator Plate

Key Markets

Plastics Processing, Injection Molding, Blow Molding, Extrusion

Related Products

Tool Room Magnets: Sweepers, Demagnetizers, Lift Magnets, Insert Magnets, Fixture Magnets

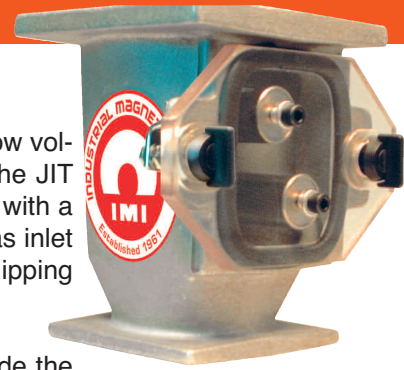
Magnets For Plastics Processing

JIT Clean Flow™ (CF418)

Ideal for Closed-Loop Just-In-Time systems.

The CF418 was designed to provide maximum tramp metal protection for low volume injection molding operations. With two standard Rare Earth tubes the JIT Clean Flow offers twice as much protection as similar units that only come with a single tube. The JIT's flange design allows for multiple mounting; as well as inlet and outlet opening, options to meet the requirements of your application. Shipping weight: 6 lbs.

A smooth vibratory finish and steep wall angles prevent resin build-up inside the aluminum housing. Inlet and outlet sizes are custom machined to your specifications. Please fill out IMI tech sheet TG-07B to ensure proper magnet selection and sizing specifications.

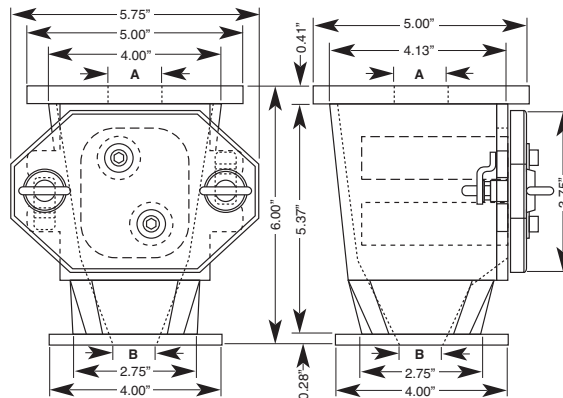


- Two offset Rare Earth magnetic tubes force repeated magnet contact
- Maximum capacity of 18 oz. eliminates material condensation and clogging.
- Custom inlets, outlets and mounting patterns
- 3/8" thick polycarbonate door for convenient flow monitoring.
- "Quarter-Turn" spring-loaded door latches for positive seal
- Optional zero-clearance slide-gate shut-off available

Part Numbers

CF418R = Standard Rare Earth Tubes
CF418 = Optional Ceramic Tubes

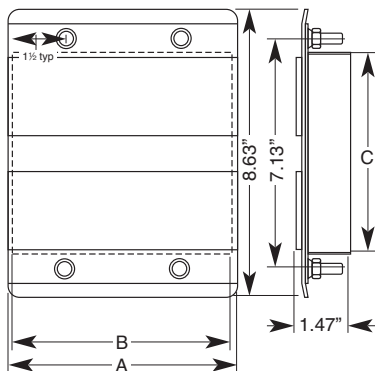
- A = Inlet Opening:** Round = 1" Min. Dia, 3.5" Max. Dia.
 Square = 1" x 1" Min., 2.5" x 2.5" Max., with 1/4" radius corners.
- B = Outlet Opening:** Round = 1" Min. Dia, 2.5" Max. Dia.
 Square = 1" x 1" Min., 1.75" x 1.75" Max., with 1/4" radius corners.



Granulator Plate Magnets

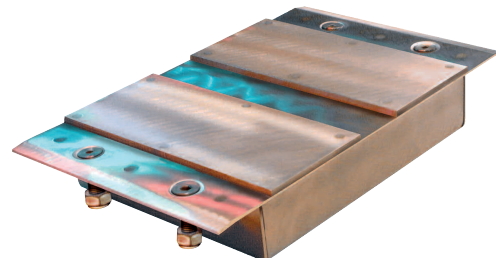
- Protect your regrind operation from damaging tramp metal
- Designed for installation in the granulator's feed tray
- Low profile design for smooth flow over the magnet face
- Mounts with provided 1/4-20 stainless steel bolts and lock nuts
- 304 stainless steel housing with 400 series stainless steel magnetic poles

Model No.	Overall Width (A)	Magnet Width (B)	Magnet Length (C)
GPM0550	5.50"	5.10"	6.25"
GPM0750	7.50"	7.10"	6.25"
GPM0950	9.50"	9.2"	6.25"
GPM1150	11.50"	11.10"	6.25"
GPM1300	13.00"	12.60"	6.25"
GPM1500	15.00"	14.60"	6.25"
GPM1700	17.00"	16.60"	6.25"
GPM1900	19.00"	18.60"	6.25"
GPM2100	21.00"	20.60"	6.25"
GPM2300	23.00"	22.60"	6.25"



INSTALLATION:

1. Cut an opening in your feed tray
2. Set the magnet in the opening in the feed tray and mark the location of the mounting holes
3. Remove the magnet and drill the four mounting holes into the feed tray
4. Set the magnet into the opening, insert the bolts into the mounting holes, thread & tighten the nuts onto the bolts



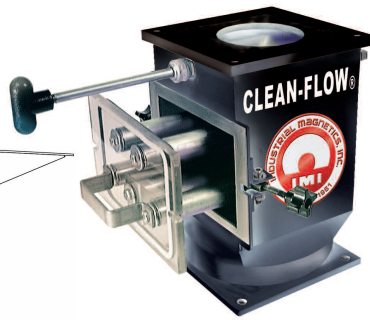
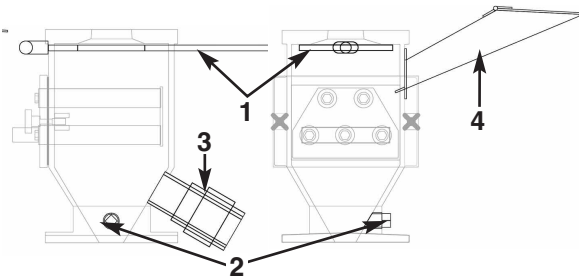
Magnets For Plastics Processing

Clean Flow™ Magnets

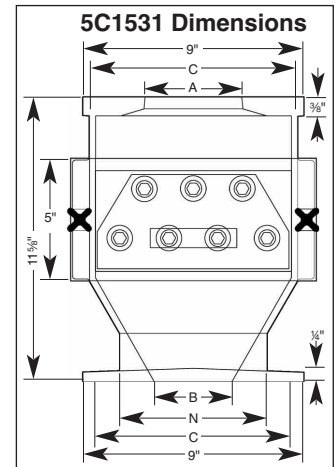
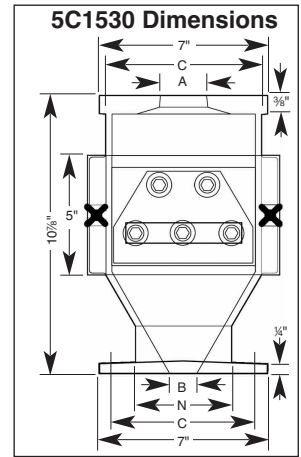
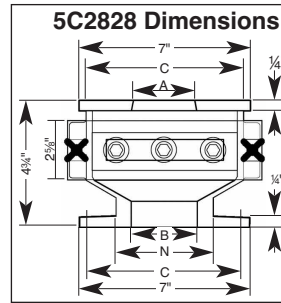
- Ceramic 8 or UHI-50® (Rare Earth) Circuit Designs
- Stainless Steel Magnetic Tubes, Located on 2" Vertical and Horizontal Centers
- Cast Housings (Painted Black)
- 3/8" Polycarbonate Drawer Front
- Leak Proof Gasket

OPTIONS:

1. Posi-Gate Shut Off
2. Accessory Port
3. Dump Tube (Std. on back)
4. Purging Spout (Mounted - Left or Right)
5. Automated Self-Cleaning
6. Manual EZ-Clean
7. Stainless Steel Drawer Front
8. 1/2" Thick Extended Top Plate
9. 1/2" Thick Bottom Plate



*Square inlets and outlets on units equipped with posi-gate shut-offs have a 1/2" machined radius in the corners.



Part No.	Round Inlet/Outlet		Square Inlet/Outlet				Hole Patterns		Neck O.D.	Cap. Cu. In.	Cap. Resin	# of Tubes	Ship Wt. Lbs.		
	A (Dia.) Min.	B (Dia.) Max.	A (LxW) Min.	B (LxW) Max.	C (LxW) Min.	C (LxW) Max.	Min.	Max.							
5C2828	2	6 1/4	2	4 1/4	2 x 2	6 1/4 x 6 1/4	2 x 2	3 x 3	4 x 4	6 x 6	4 3/4	71	40 oz.	3	22
5C2828PG	2	4 1/2	2	4 1/4	2 x 2	4 1/2 x 4 1/2	2 x 2	*3 1/4 x 3 1/4	4 x 4	6 x 6	4 3/4	60	40 oz.	3	25
5C1530	3	6 1/4	2	4 1/4	3 x 3	6 1/4 x 6 1/4	2 x 2	3 x 3	4 x 4	6 x 6	4 3/4	284	120 oz.	5	35
5C1530PG	3	4 1/4	2	4 1/4	3 x 3	4 1/4 x 4 1/4	2 x 2	*3 1/4 x 3 1/4	4 x 4	6 x 6	4 3/4	283	120 oz.	5	39
5C1531	4	8 1/4	3	5 1/2	4 x 4	8 1/4 x 8 1/4	3 x 3	4 x 4	5 x 5	8 x 8	6	490	200 oz.	7	50
5C1531PG	4	6 1/2	3	5 1/2	4 x 4	6 1/2 x 6 1/2	3 x 3	*4 1/4 x 4 1/4	5 x 5	8 x 8	6	488	200 oz.	7	54

Note: Top and bottom plate extensions must be added for larger bolt hole patterns. Bottom plate adapters may be used for smaller bolt hole patterns. Flanges can be machined to custom sizes or shapes. Fill out Tech Sheet TG-07B.

Torpedo Magnets

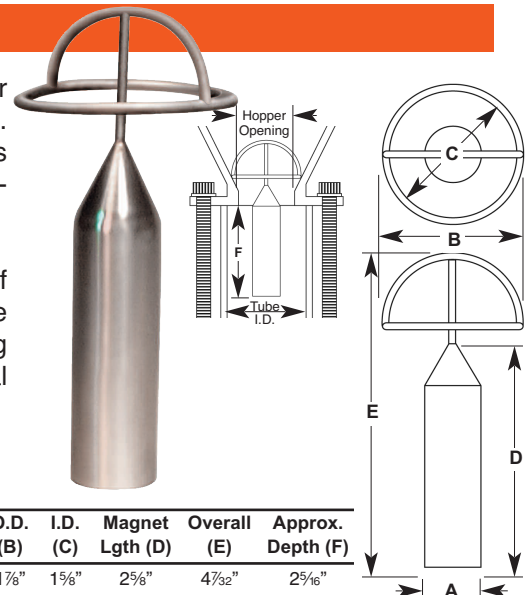
These powerful, compact 50 MgOe Rare Earth magnets are ideal for applications where a Clean-Flow® magnet won't fit in the JIT system. The magnet cartridge hangs in the center of the hopper loader's glass tube to prevent tramp metal from entering your plastic molding machine, without interfering with the flow of material from the hopper.

The Torpedo is visible through the JIT's glass tube for inspection of tramp metal build up. The magnetic pole located on the bottom of the cartridge allows tramp metal to collect in a protected area, preventing wash-off of the collected metal back into the product flow. Tramp metal should be cleaned from the magnet on a regular basis.

- Won't affect material level sensors that are mounted on the outside of the JIT's glass tube
- Stainless steel, all welded construction

Selection Notes:

1. For hopper loader glass tubes under 2 1/4" dia. use the 3/8" dia. Torpedo
2. For hopper loader glass tubes over 2 1/4" dia. use the 1" dia. Torpedo
3. Select a Torpedo Magnet with a ring diameter that is larger than the hopper opening to ensure proper magnet location



Model No.	Magnet Dia. (A)	O.D. (B)	I.D. (C)	Magnet Lgth (D)	Overall (E)	Approx. Depth (F)
TM0312RS	3/8"	1 1/8"	1 5/8"	2 5/8"	4 7/32"	2 5/16"
TM0312RL	3/8"	2 1/2"	2 1/4"	2 5/8"	4 1/2"	2 5/16"
TM0400RS	1"	1 7/8"	1 5/8"	4"	5 5/16"	3 1/16"
TM0400RL	1"	2 1/2"	2 1/4"	4"	5 7/8"	3 1/16"

NOTE: All dimensions are stated in inches

Magnets For Plastics Processing

Vacuum 4JIT Magnet

The 4JIT magnet cartridge captures ferrous metal contaminants to provide equipment protection and improved product purity.

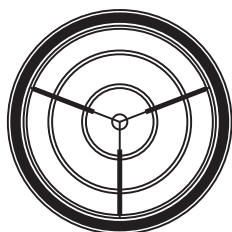
Clean captured metal by removing the clamp to separate the two halves. Once separated, wipe the metal off the magnet a gloved hand or shop rag.

FEATURES:

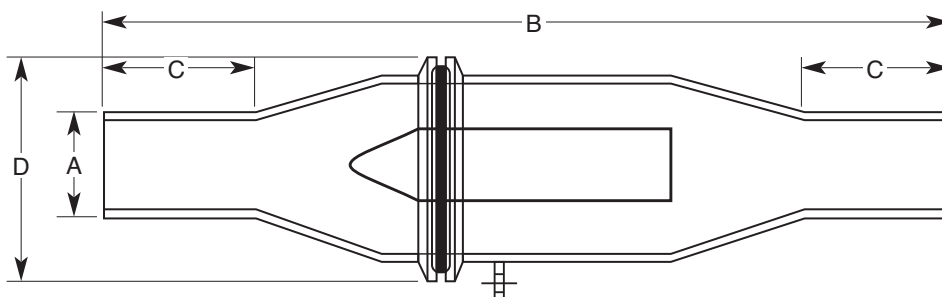
- Welded Stainless Steel Construction
- Powerful Rare Earth Magnetic Circuit
- Connecting ends are constructed of .065" wall thickness tubing

OPTIONS:

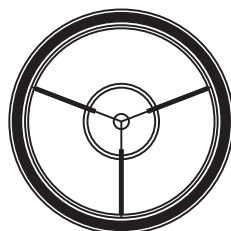
- Custom Sizes and Designs
- Ceramic or Alnico Magnetic Circuits



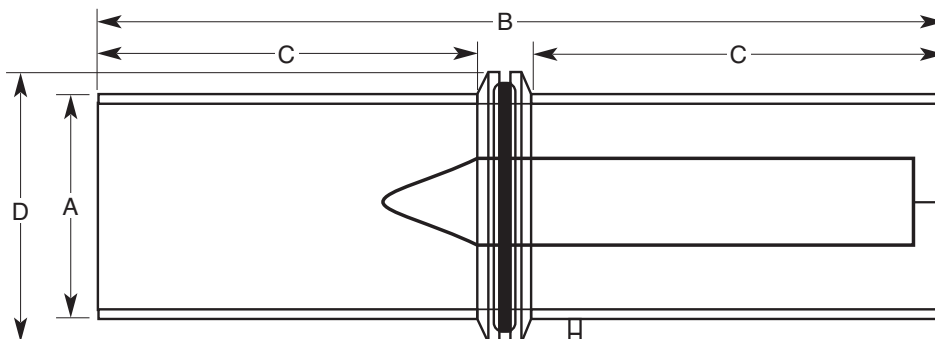
END VIEW
(4JIT1500R & 2000R)



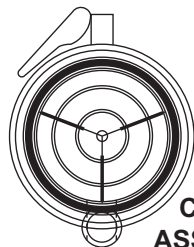
SIDE VIEW
(4JIT1500R & 2000R)



END VIEW
(4JIT2500R)

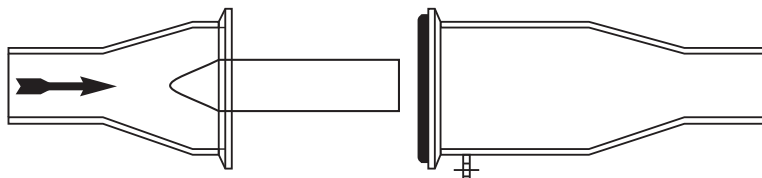


SIDE VIEW
(4JIT2500R)



CLAMP ASSEMBLY

MATERIAL FLOW



EXPLODED VIEW

Part Number	Line Size A (O.D.)	Overall Length B	Connecting Ends C	Overall Dia. D	Weight Lbs.
4JIT1500R	1-1/2"	12-1/8"	2-1/8"	2-1/8"	3.33
4JIT2000R	2"	10-1/8"	2-1/16"	2-1/16"	3.00
4JIT2500R	2-1/2"	6-3/4"	2-13/16"	2-13/16"	2.50