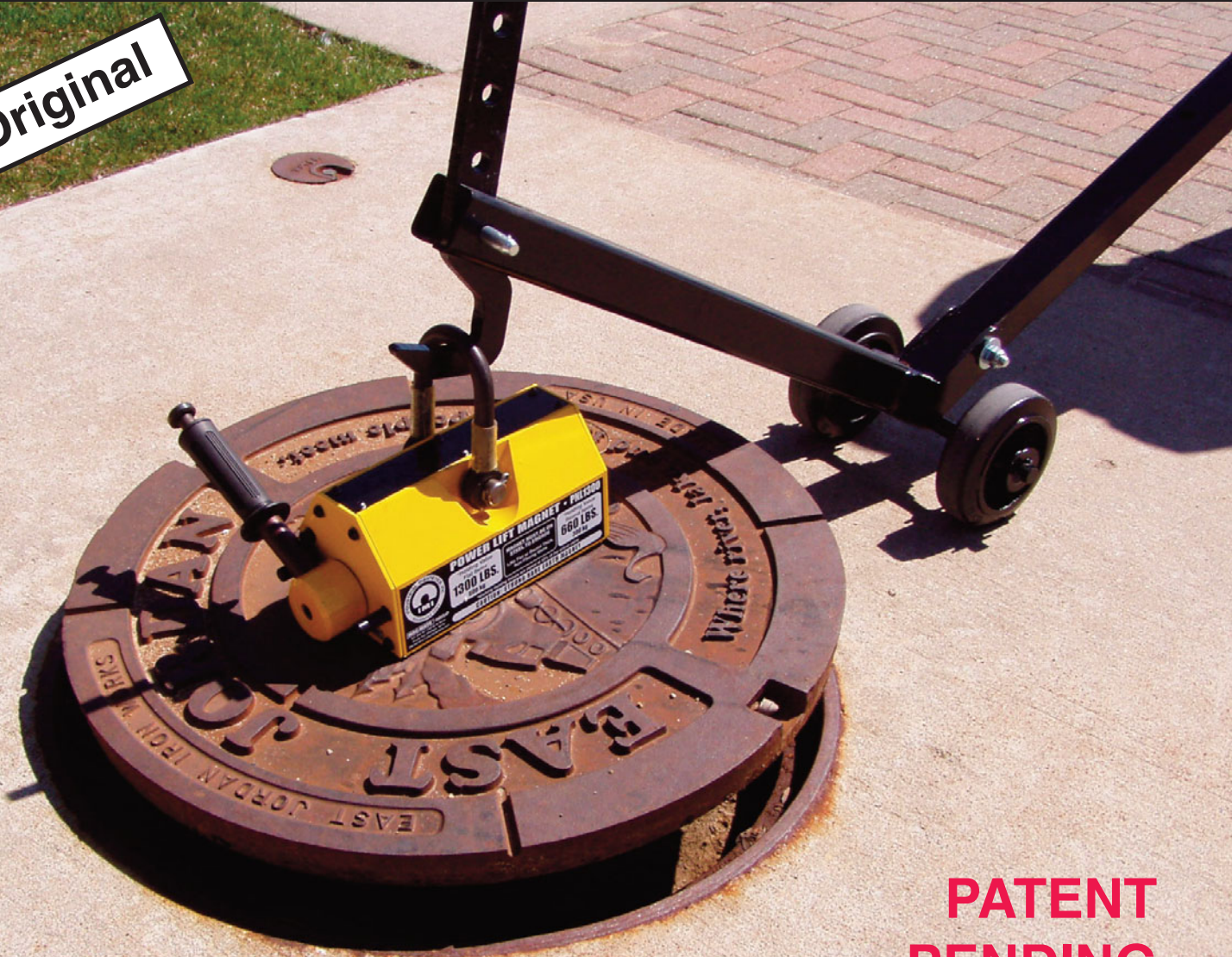


# MANHOLE COVER LIFT SYSTEM

MG-03A

The Original



**PATENT  
PENDING**

Manhole cover lifts make it easy to remove and replace covers. The deep reaching strength of the PowerLift® magnets penetrate textured surfaces often found on manhole covers. Once magnet(s) are attached, use a hoist or lift dolly (see MCL2000 and MCL3000) to move the manhole covers. **Manhole covers must be loose prior to lifting.**

#### Employee Benefits

- Reduce lost time injuries caused by handling covers
- Prevent injuries to fingers and toes
- Prevent long term back injuries/soreness
- Aging workforce or gender considerations precludes lifting heavy lids

#### Application Benefits

- Faster access to openings
- Makes moving heavy manhole covers an easy one-person operation
- Eliminate the use of pry bars
- Leverage makes lifting heavy covers easy
- Ideal for survey crews
- Dolly handle breaks down for easy storage • For safety, the magnet must be in contact with the manhole cover to be turned on



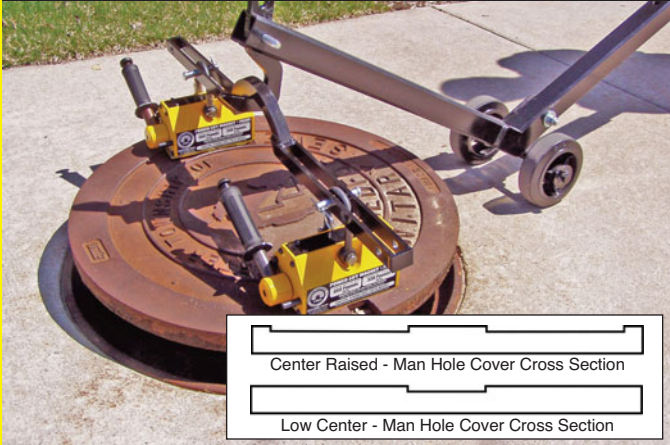
**MAG-MATE™**

Last Updated 07/07

# Move Heavy Manhole Lids In A Quick And Easy Process



Textured - all high points on same plane

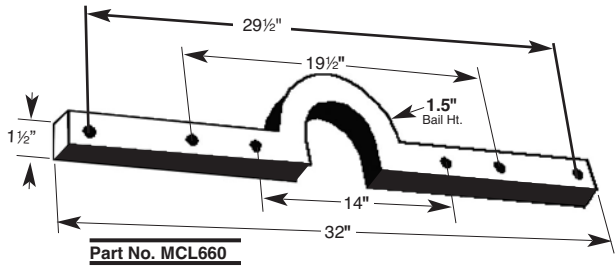


Center Raised - Man Hole Cover Cross Section  
Low Center - Man Hole Cover Cross Section

Manhole magnet, PNL660 or PNL1300 used in the center of the manhole cover. Designed for covers that are not raised or lowered in the center. **See Above.**

Manhole lift, MCM660X2 uses two magnets on a spreader bar to balance the load. This configuration makes it possible to avoid lifting from the center of a manhole cover with raised or lowered sections. Ideal for large covers or heavily textured surfaces. **See Left.**

**MCL660 Manhole cover lift spreader bar** is used with two PowerLift™ magnets. Spreader bar has three location holes that allow the magnets to be placed where maximum magnet-to-steel ratio (flat surface) can be achieved. **See Below.**



MCLWC Wheel chock plates are ideal for use with either manhole cover lift dolly. Use the wheel chock in areas that have sloped grades, areas that have soft surfaces or just use the wheel chock to reduce the risk of the dolly rolling in an undesirable direction. Painted steel chock plates are available in two standard sizes 12" X 12" or 24" X 24". **See Right.**

**“Rule of Thumb” guide for lifting manhole lids.**

Diameter of lids/covers	Magnet Size
Up to 26" Diameter	PNL660
30" to 35" Diameter	PNL1300
36" Diameter & up	MCL660X2

**\*Note:** Consult the factory for lids that have paving or non-clean surfaces. For single magnet use, the center section of the lid should have all high spots on the same plain. Heavily textured surfaces should use the MCL660X2. For grates or vented lids, use PNL1300 or MCL660X2. Using the MCL660X2 will keep the lid level and may reduce the distance the handle has to be lowered to get the lid out and back in.



**PowerLift™ Rare Earth Lift Magnets**

The Manhole Cover Lift System uses compact yet powerful Rare Earth lift magnets that can be used on flat or round surfaces and contain an internal release on/off device that does not contact or damage the surface of the cover being lifted. Permanent magnetic lifts eliminate the fear of dropping the load being lifted due to power failures.



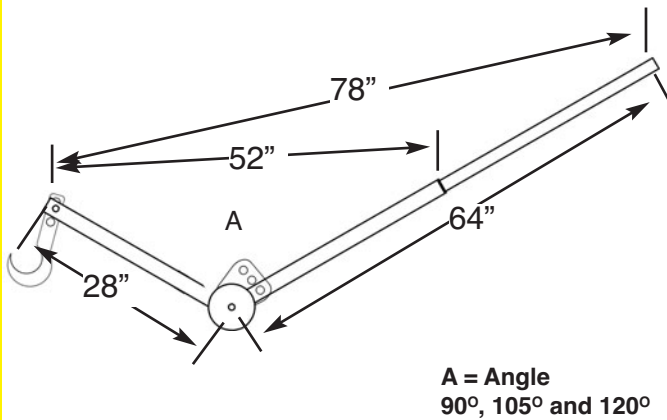
The Manhole Cover Lift System Design Pick Up Of Contour Size



**Manhole  
Cover Lift  
System Is  
Designed To  
Lift Lids  
All  
Years And  
Seasons.**

**Get The Angle Right!**

With our four hook positions and our three dolly angles, eliminate the back pain caused by bending down to move the manhole lids.



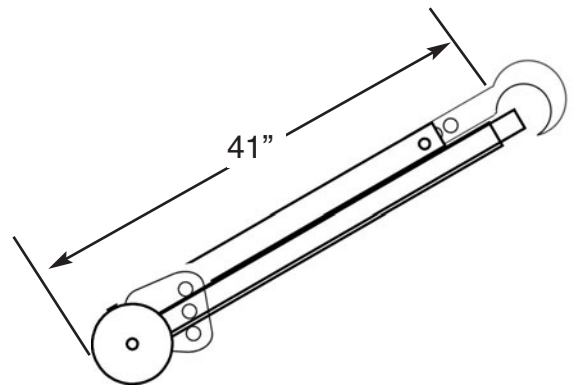
A = Angle  
90°, 105° and 120°

The **MCL2000 & MCL3000** are both hinged models of the Manhole Cover Lift System with separate locking angles at 90°, 105° and 120°. Both models are also designed for easy storage with a foldable dolly and an easy-slide handle that sizes the length down to 41 inches. The MCL2000 is an all steel construction. See Left.

The **MCL3000** takes lifting manhole covers to the next step. Using aluminum construction, IMI has designed a lightweight dolly for easier carrying that still has all the functionality and strength needed from the MCL2000. The welded aluminum frame helps the MCL3000 up to 17 pounds less than other models.



**Manhole Cover Lift** dolly uses an adjustable four-position hook combined with a three-position retractable handle, allowing the operator to maneuver heavy manhole covers ergonomically. The hook makes grabbing the magnet or, if more than one, spreader bar a one-person job. Heavy-duty wheels, 6" or 10" diameter, provide stability for moving the manhole cover safely away from the opening.



**Stuck or Stubborn Manhole Covers?**

**Manhole cover must be loose prior to lifting the cover.** Use a hammer to loosen the lid in the hole similar to the way you do it now. You can use the Manhole Cover Lift System to help loosen some of your stuck or stubborn manhole covers. Place the magnet on the edge of the manhole cover as shown in picture. See Left. Use the leverage on the dolly to lift one edge on the manhole cover. Once the lid is loose reposition the magnet on the center of the cover to lift the entire cover out of the manhole. Repositioning the magnet to the center will help keep the cover level for less strain on your back and it's ready when you need to replace the cover.



**Magnetic Sweepers**

Clean roads, construction sites, parking lots and more with our full line of magnetic sweepers with options for car/truck mounting, self-cleaning designs and more. Go online or call us today to request more information.



## Utility Lid Pick-Up Tool

No BENDING over to lift cast iron utility covers. This deep reach permanent magnetic field penetrates textured surfaces of lids and allows the operator to ergonomically lift the casting out of the way. Once the lid is replaced simply move the handle sideways to break the magnet free from the casting. Magnet is 1-7/8" wide by 6" long and is mounted to non-corrosive handle that includes a blunt impact end for stubborn lids. Overall length is 41-1/2" long. The weight of the product is 5.0 lbs and it will hold up to 50 lbs.

**Part Number: MCLP001**



The opposite end of the pick-up tool has a blunt, steel cap used to loosen stuck covers. Simply tap the lid with enough force to knock loose the cap prior to removing it from the ground.



### MANHOLE COVER LIFT SYSTEM COMPONENTS

Part Number	Description	Lbs.
PNL660	Powerlift Magnet 660 lbs.	22
PNL1300	Powerlift Magnet 1300 lbs.	53
MCL660X2	Spreader Bar with two PNL660 magnets	51
MCL660	Spreader Bar only	7
MCL2000W06	Manhole cover dolly, hinged, with 6" wheels	46
MCL3000W06	Manhole cover dolly, hinged, aluminum, with 6" wheels	29
MCL2000W10	Manhole cover dolly, hinged, with 10" wheels	52
MCL3000W10	Manhole cover dolly, hinged, aluminum, with 10" wheels	33
MCLRH03S36T	32" steel replacement two-man 36" T-handle	22
MCLRH10S	10' steel replacement handle for a MCL dolly	26
MCLWC12X12	Wheel Chock 12"x12"	13
MCLWC24X24	Wheel Chock 24"x24"	26
MCLRW06	6" diameter wheels for manhole dolly	3
MCLRW10	10" diameter wheels for manhole dolly	5
MCLHOOKEXT	Dolly hook extension for covers up to 48" diameter	3
MCLP001	Utility Lid Pick-Up Tool, 50 lb. Holding Value	5

### Distributed By:

Prefix / Suffix	Description
MCL2000	Hinged construction for shipping and storage
MCL3000	Hinged, light weight Aluminum construction
W	Wheels diameter, 06 = 6", 10 = 10" dia.
H	Handle length, 03 = 3', 10 = 10' long
T	Two-man "T" handle
R	Replacement part
WC	Wheel Chock