

SLIDE VALVES

PNEUMATIC TYPE L

- MACHINED CAST ALUMINUM BODY
- SCREW OR PNEUMATIC OPERATION
- STAINLESS STEEL SLIDE PLATE & INLET BORE
- SIZES 4"-12" DIA
- OPTIONAL PRESSURE/VACUUM TIGHT CUT-OFF, TYPE LP ONLY
- INLET AND OUTLET FLANGES IDENTICAL

These fully enclosed slide valves for the control of gravity fed powders and granules have corrosion resistant aluminum alloy bodies, with slide plates and inlet bores in 304 stainless steel as standard. Valves may also be specified in all stainless steel for applications where aluminum is unacceptable.

Top and bottom flanges are drilled and tapped as per ANSI 150lbs but flanges to other standards are available to special order.

PNEUMATIC VALVE TYPE LP

Operation is by means of a double acting pneumatic cylinder with a stainless steel piston rod, the slide plate running on adjustable nylon 66 supports. Control is by a single solenoid valve piped to close and seal the valve in the event of a failure in the electricity supply. Maximum operating temperature 175°F.

Reed switches for electrical indication of fully open and closed positions can be fitted if required. Switches and solenoid valves to customers' requirements, or for use in hazardous areas, can also be fitted.

The valve can be fitted with an optional inflatable sealing arrangement to provide an air tight seal against the plate surface when in the closed position. The seal is deflated automatically before opening the valve to allow an unobstructed full bore flow of material. This action ensures that the seal does not come into contact with moving parts, thus minimising wear.

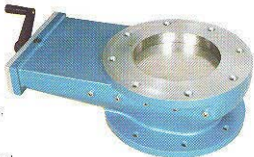
Designed for use where an effective seal against a pressure of up to 15 PSIG or partial vacuum of 28" Hg is required, the valve will find applications on low pressure and vacuum conveying systems, cyclones, dryers, reactors, fluidised products or wherever a positive product/air tight seal is required.



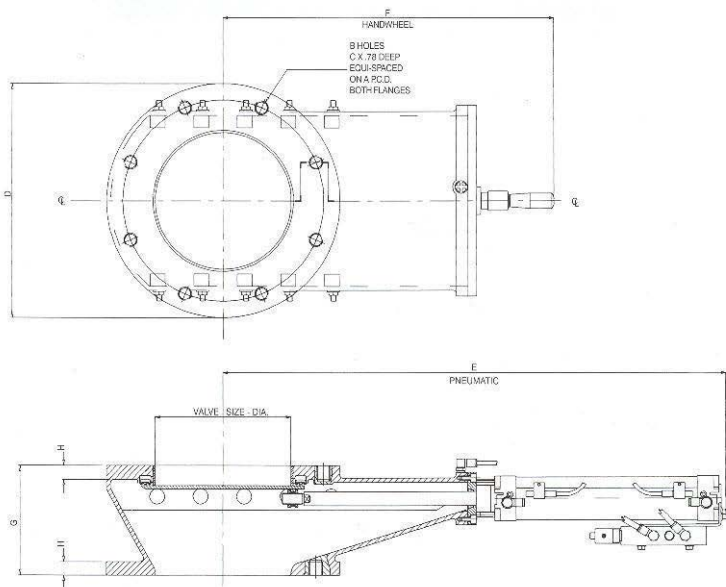
SCREW VALVE TYPE LS

Movement of the slide plate is by a double start stainless steel acme screw and nylon 66 nut and can be fitted for either handwheel or chainwheel operation. This valve, as well as for use as a shut off valve, is ideal for metering the material flow with the plate in the part open/closed position.

Note: this version cannot be fitted with the inflatable seal.



Britton
POWDER CONTROL



MODEL LP/LS	NOMINAL OPENING	A	B	C	D	E	F	G	H
100	4"	7.5	8	3/4 UNC	9.06	19.37	13.20	5.12	.63
150	6"	9.5	8	3/4 UNC	11.00	24.30	16.15	5.70	.71
200	8"	11.75	8	3/4 UNC	13.50	29.20	19.10	6.30	.79
250	10"	14.25	12	3/4 UNC	16.00	34.15	20.05	6.90	.87
300	12"	17.00	12	3/4 UNC	19.00	39.05	25.00	7.50	.87

NOTE: All dimensions shown above are in inches.

We are continually developing our products and accordingly we reserve the right to change specifications and dimensions without prior notice.



SMS INTERNATIONAL,
INC.

909 S. KICKAPOO ST. · LINCOLN · IL 62656
PHONE (217) 732-5787 · FAX (217) 732-4878