

TECHNICAL

FOCUS

ELEVATION STATION[®]



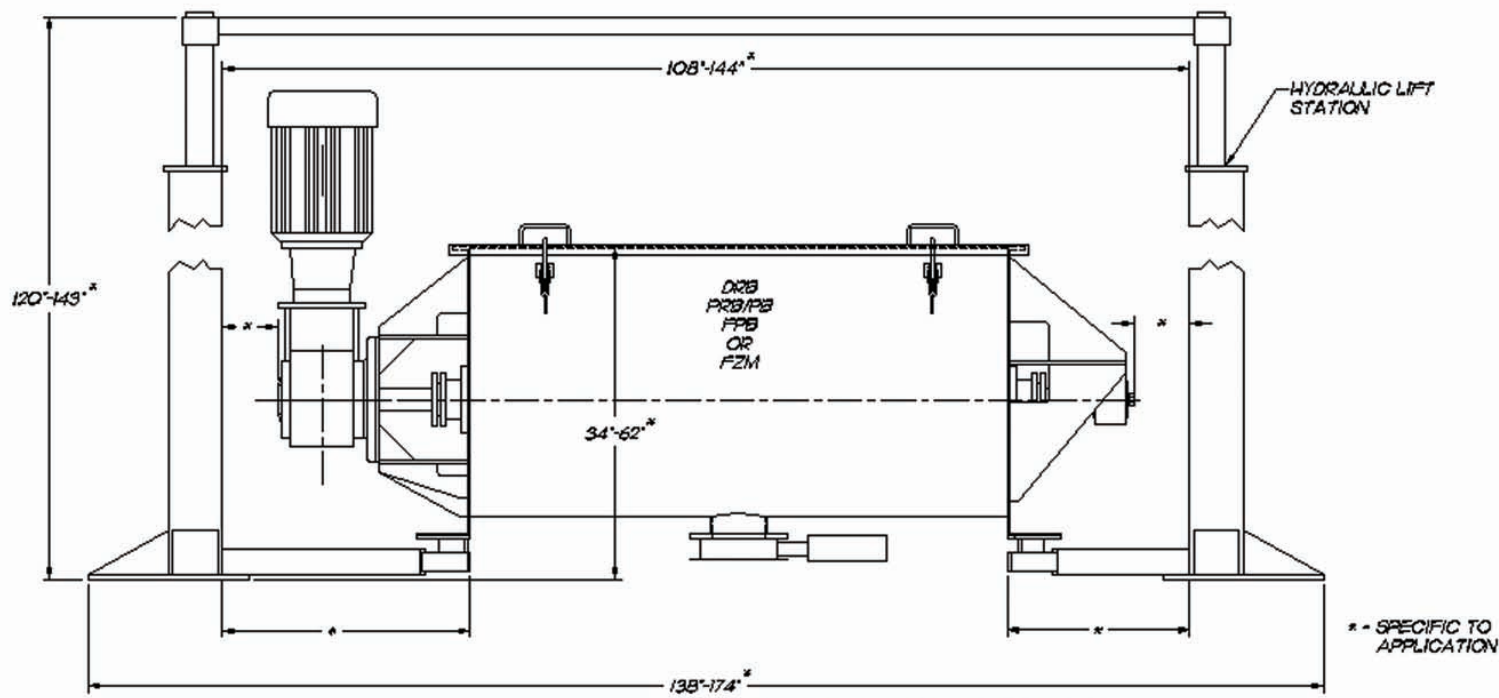
AND

FROM ONE LEVEL!

- **ERGONOMIC** - empty bags or drums into mixer and discharge into drums from ground level
- **ECONOMICAL** - only 1 operator needed - no platform required
- **SAFE** - no stairs or platforms to climb
- **LESS ANCILLARY EQUIPMENT** - no forklifts needed
- **LOW PROFILE** - fit entire system into 12' height
- **SAVES SPACE** - small foot print saves valuable floor space
- **PRE-PACKAGED SYSTEMS** - complete with mixer designed for your application with hydraulic lift and starter/control panel
- **ACCESSIBILITY MEANS CLEANABILITY** - ground access aids sanitation

AMERICAN
PROCESS
SYSTEMS



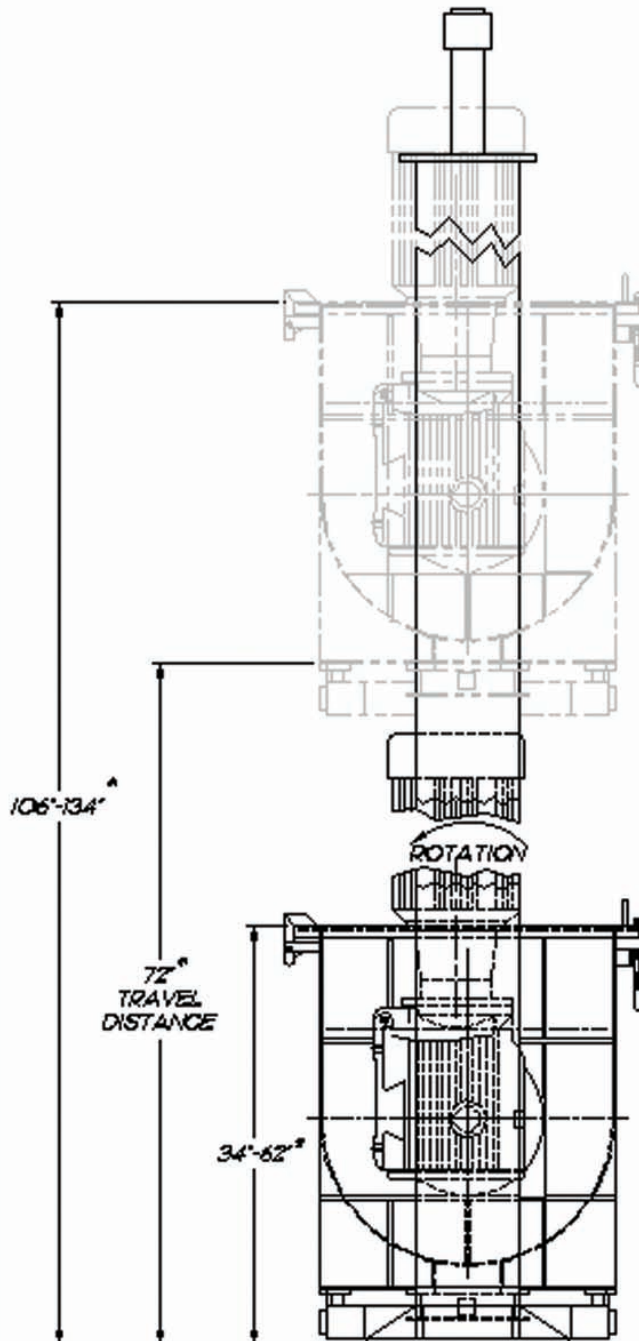


SPECIFICATIONS:

- Lifting Height: 72" Maximum
- Lifting Time: 45 seconds
- Overall Height: 10' to 11'11"
- Overall Width: 11'6" - 14'6"
- Width between columns: 9' - 12'
- Motor: 208-230, 2 HP Single Phase
(3 Phase motor optional)

HLS Hydraulic Lift System features:

- Top of Lift Motor Shut-OFF Cable for added safety
- Self-engaging Park Latch in both towers for mechanical stops
- Durable Powder Coated Paint System
- Large, sturdy base plates for added stability



**AMERICAN
PROCESS
SYSTEMS**

4033 Ryan Road • Gurnee, IL • 60031
 Phone 847-406-1300 • Fax 847-336-0914
 apssales@eirichusa.com www.eirichusa.com