

QUICK CHANGE BIN VENT

Automated Ingredient Systems Quick-Change Bin Vents are designed to offer customers a compact, affordable, easily serviced alternative to traditional bin vents. The low-profile design and hinged lid provide easy access and allows the changing of filters without the need for tools. The cylindrical design allows the same unit to be used in either vacuum or pressure applications. The spun bond polyester filter cartridge media is highly efficient, washable with soap and water, and exceeds EPA emission standards. The stainless steel urethane exterior finish provides a durable, long-lasting product. The addition of a clear phenolic interior coating makes this unit ideal for sanitary applications. AIS can provide custom flange patterns or an adapter flange that will allow the Quick-Change Bin Vent to easily adapt to your existing bin opening.

FEATURES

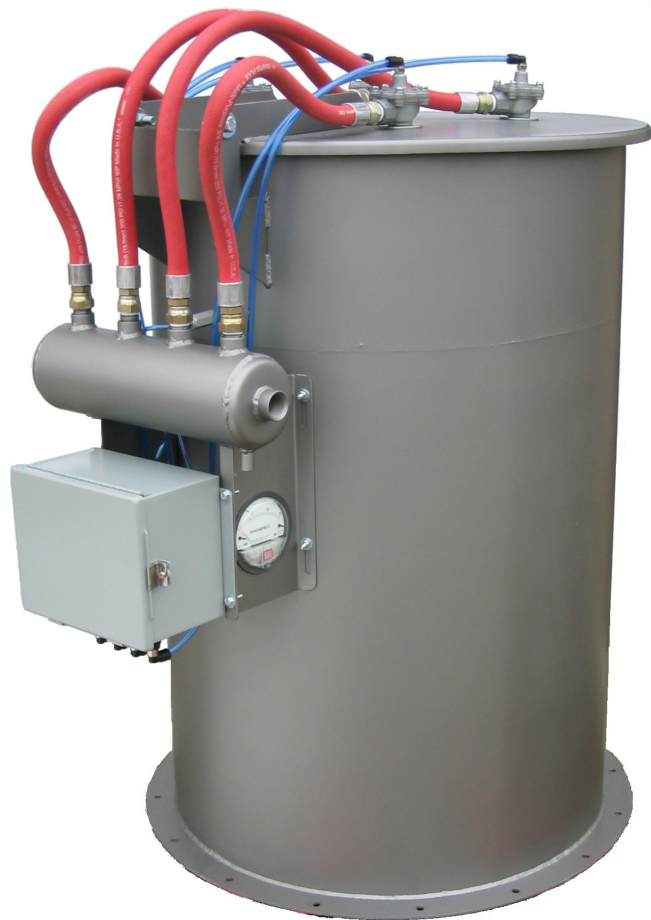
Controls - Sequential timer mounted in a NEMA 4 enclosure.

Materials of construction – Units are constructed of either carbon steel or stainless steel. The standard carbon steel units are finished with a stainless steel urethane exterior coating.

Gauges – Units are equipped with a pre-mounted magnehelic gauge. The gauge is provided with an inline filter to prevent dust from fogging the glass on the gauge.

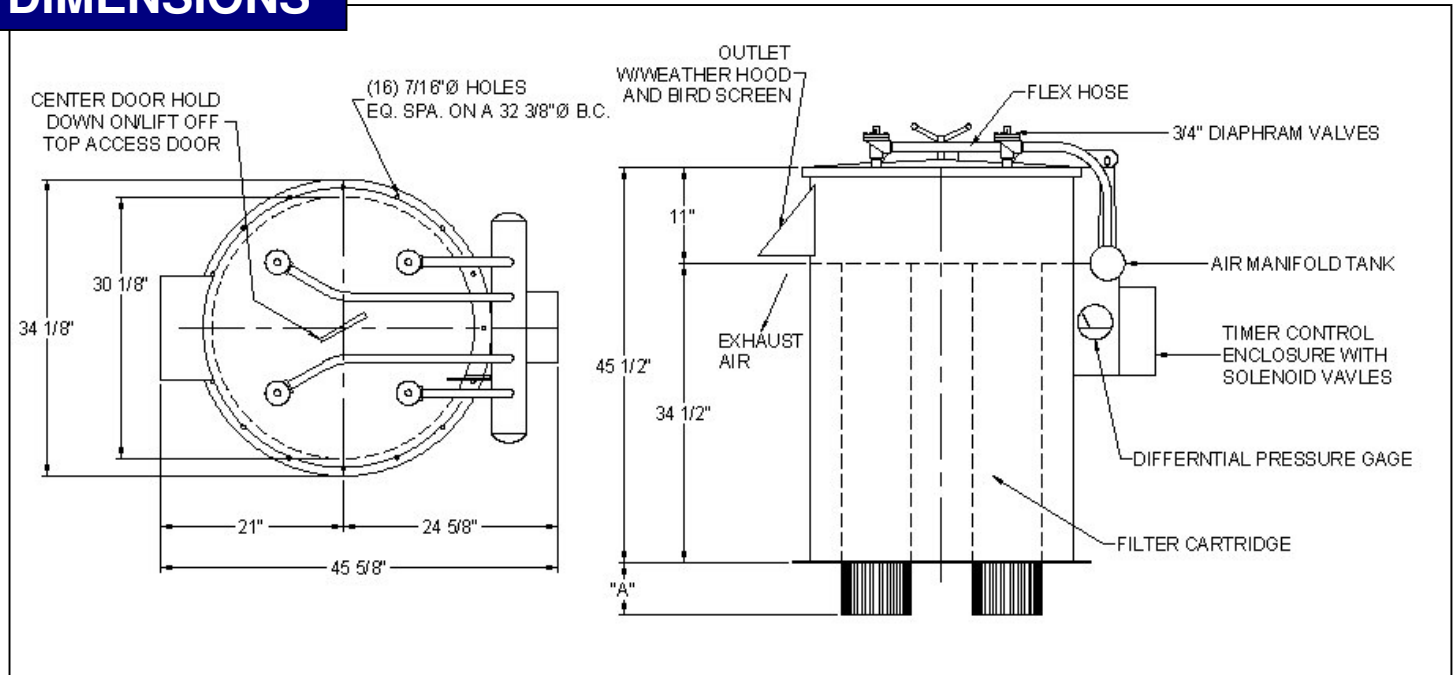
Quick Access Filter Design – Tool less top access lid design allows top load filters to be changed in minutes with no tools.

Compact Design – The Quick-Change Bin Vent is designed with the safety of maintenance in mind. The low-profile design and hinged lid make the unit easier and safer to maintain.



Automated Ingredient Systems, L.L.C.

DIMENSIONS



(3) CARTRIDGE MODELS

MODEL #	SQ. FT. FILTER MDEIA	"A"
BV3X26	122	N/A
BV3X40	192	5.5"
BV3X55	284	23.125"

(4) CARTRIDGE MODELS

MODEL #	SQ. FT. FILTER MDEIA	"A"
BV4X26	162	N/A
BV4X40	256	5.5"
BV4X55	378	23.125"

FILTRATION MEDIA

Available Elements:

Spun bond polyester
 PTFE membrane coated
 Various pleat configurations

OPTIONS

304 Stainless Steel
 Custom finishes
 NEMA 4X & NEMA 9 controls
 Fan mounting connection
 Bin flange adapters
 Vacuum connection

ACCESSORIES

Exhaust fan
 Receiving bin
 Explosion vents
 Exhaust piping

EASY FILTER CHANGE OUT:

